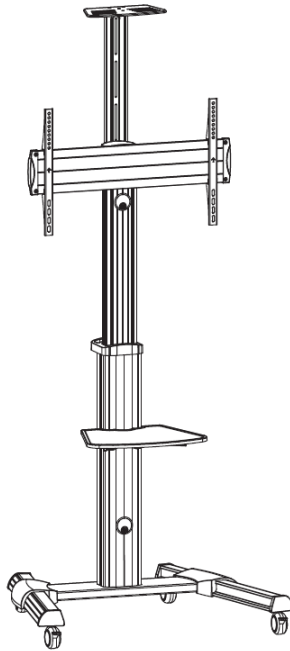




---

## Silver Mobile TV Cart

### Instruction Manual



**SKU: STAND-TV09**



Scan the QR code with your mobile device or follow the link for helpful videos and specifications related to this product.

<https://vivo-us.com/products/stand-tv09>

---

**GET IN TOUCH** | Monday-Friday from 7:00am-7:00pm CST



help@vivo-us.com



www.vivo-us.com  
*Chat live with an agent!*



309-278-5303

# ⚠️ WARNING!

If you do not understand these directions, or if you have any doubts about the safety of the installation, please call a qualified technician. Check carefully to make sure there are no missing or defective parts. Improper installation may cause damage or serious injury. Do not use this product for any purpose that is not explicitly specified in this manual. Do not exceed weight capacity. We cannot be liable for damage or injury caused by improper mounting, incorrect assembly or inappropriate use.

## ⚠️ TIPOVER WARNING

SERIOUS OR FATAL CRUSHING INJURIES CAN OCCUR FROM TIPOVER. TO HELP PREVENT TIPOVER:



































- NEVER ALLOW CHILDREN TO CLIMB, STAND, HANG, OR PLAY ON ANY PART OF TV OR TV CART.
- USE TIPOVER RESTRAINT OR ANCHOR STAND TO WALL

**USE OF TIPOVER RESTRAINTS MAY ONLY REDUCE, BUT NOT ELIMINATE RISK OF TIPOVER.**

## ⚠️ WARNING: CHOKING HAZARD

SMALL PARTS - NOT FOR CHILDREN UNDER 3 YEARS. ADULT SUPERVISION IS REQUIRED.

## PACKAGE CONTENTS

					
<b>A (x1)</b> Middle Base	<b>B (x1)</b> Left Leg	<b>C (x1)</b> Right Leg	<b>D (x1)</b> Left Cover	<b>E (x1)</b> Right Cover	<b>F (x1)</b> Support Plate
					
<b>G (x1)</b> Universal Plate	<b>H (x2)</b> Plastic Cover	<b>I (x2)</b> Adapter Bracket	<b>J (x1)</b> Column	<b>K (x1)</b> Plastic Handle	<b>L (x1)</b> Top Cover
					
<b>M (x1)</b> Connecting Plate	<b>N (x1)</b> Camera Shelf	<b>O (x1)</b> DVD Shelf	<b>P (x4)</b> Washer	<b>Q (x8)</b> M6x16	<b>R (x3)</b> M6x25
					
<b>S (x3)</b> M4x6	<b>T (x4)</b> M4x6	<b>U (x2)</b> M6x14	<b>V (x6)</b> M6x8	<b>W (x4)</b> M8x25	<b>X (x2)</b> M5x8
					
<b>Y (x1)</b> Allen Wrench	<b>Z (x1)</b> Wrench	<b>M-A (x4)</b> M5x14	<b>M-B (x4)</b> M6x14	<b>M-C (x4)</b> M6x30	<b>M-D (x4)</b> M8x30
					
<b>M-E (x4)</b> M8x50	<b>M-F (x4)</b> Washer	<b>M-G (x8)</b> Small Spacer	<b>M-H (x8)</b> Large Spacer		

**NOTE: SOME HARDWARE INCLUDED MAY NOT BE USED**

## TOOLS NEEDED



DO NOT EXCEED WEIGHT CAPACITY.

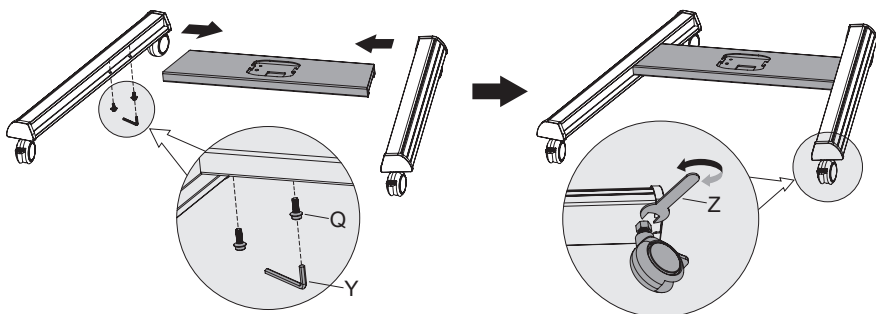
Failure to do so may result in serious injury.



## ASSEMBLY STEPS

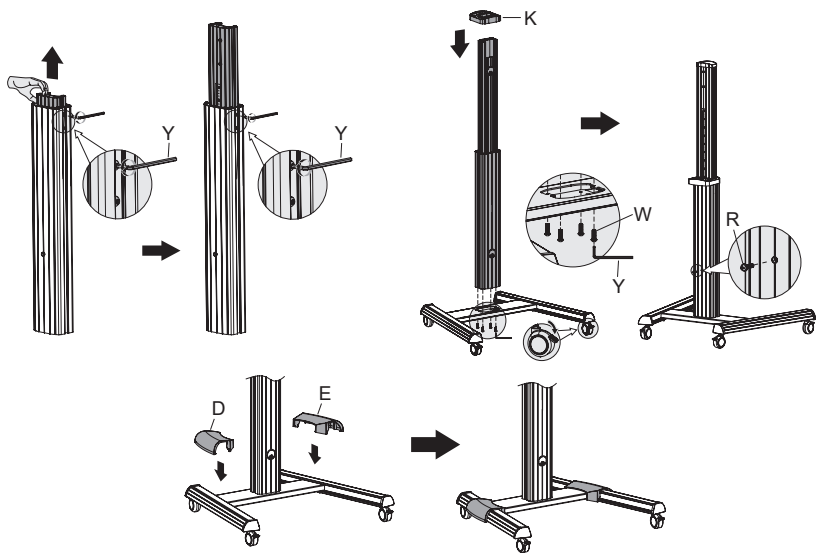
### STEP 1

Insert the base (A) into the left leg (B). Align the mounting holes and secure with M6x16 bolts (Q). Repeat this step for the right leg (C). Adjust caster height if needed by loosening the nut with the wrench (Z).



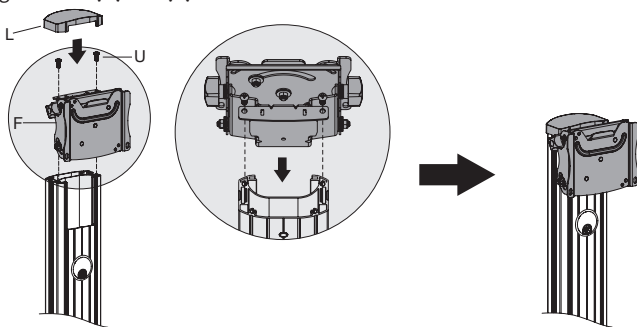
### STEP 2

Loosen screws on each side of column (J) using the Allen wrench (Y) to adjust height to desired level, then tighten (CAUTION: Hold inner column when loosening for adjustment). Attach column to base (A) using M8x25 bolts (W) and tighten with Allen wrench. Slide the handle (K) and the top cover (L) over the pole.



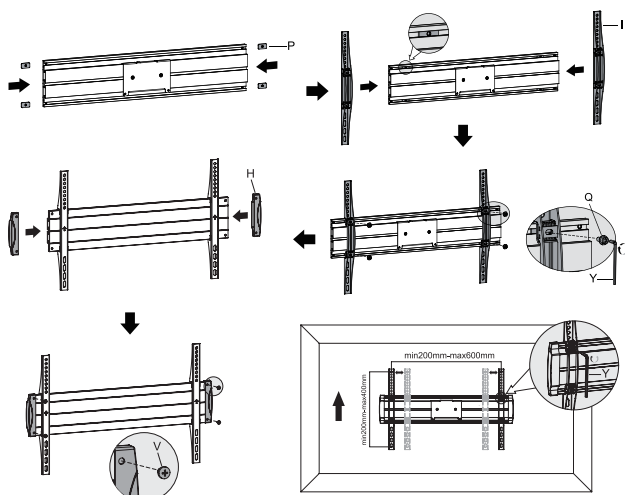
### STEP 3

Attach the support plate (F) to the column (J) with M6x14 bolts (U). Tighten bolts using a screwdriver. Place left and right covers (D) and (E) over the base of the stand.



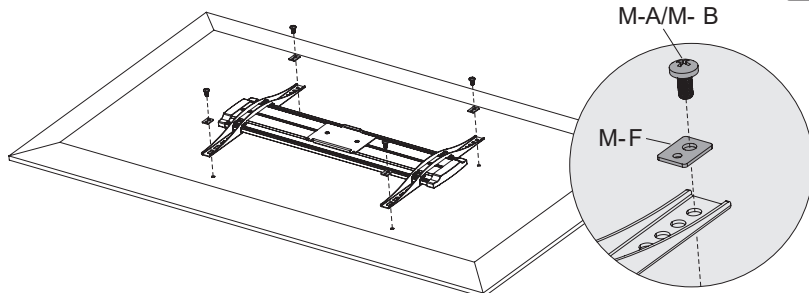
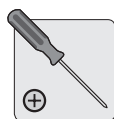
### STEP 4

Insert the washers (P) into the slots in the back of the universal plate (G). Slide the adapter brackets (I) onto the universal plate (G). Align the holes in the adapter brackets (I) to the holes in the washers (P). Insert M6x16 bolts (Q), but do not yet tighten. Attach the plastic covers (H) to both ends of the universal plate (G) using M6x8 bolts (V).



#### OPTION A: Flat Back Screen

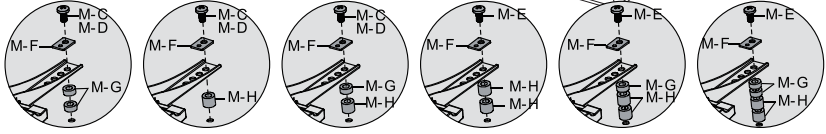
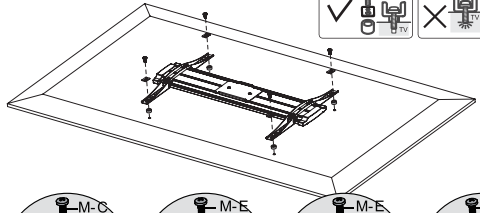
Align the adapter brackets (I) with the mounting holes in your display, then screw bolts in with Philips screwdriver.



## STEP 4 (Continued)

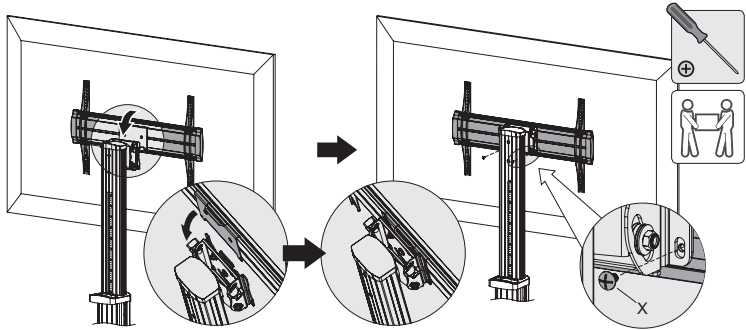
### OPTION B: Curved Back Screen

Choose the appropriate bolts, washers and spacers (if necessary) according to the type of screen. Tighten all bolts but do not over tighten. Screw the adapter brackets onto the display.



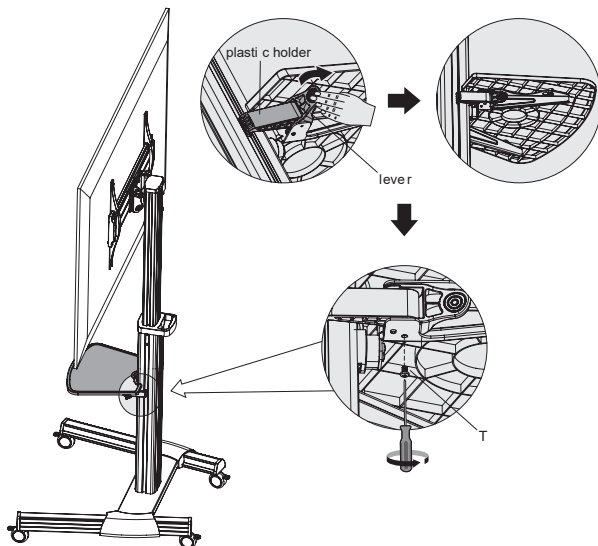
## STEP 5

Hang the universal plate (G) onto the support plate (F), and secure with M5x8 bolts (X). **IMPORTANT:** Make sure the display is mounted correctly and that the bolts are tightened safely before releasing the display.



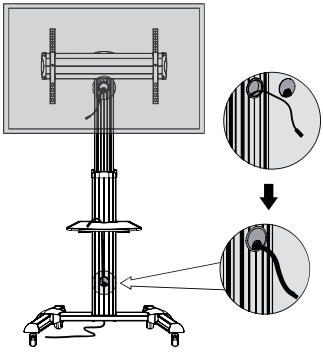
## STEP 6

Insert the two plastic holders of the DVD shelf (O) into the slots of the column, then close the levers to lock the DVD shelf in place. Tighten M4x6 dome head bolts (T) into the bottom of the shelf brackets to secure.



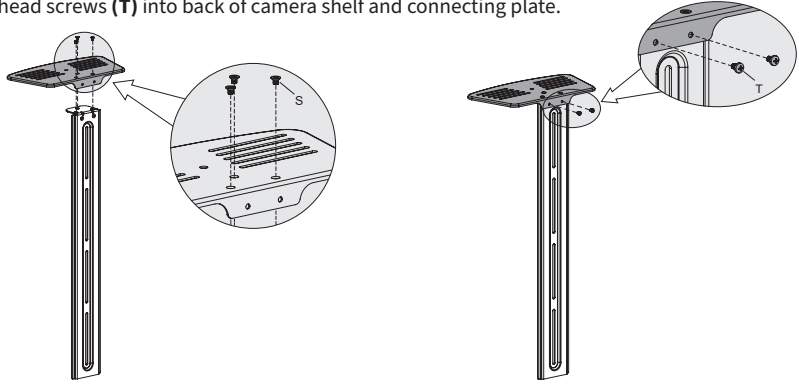
**STEP 7**

Run cables through cable management slots.



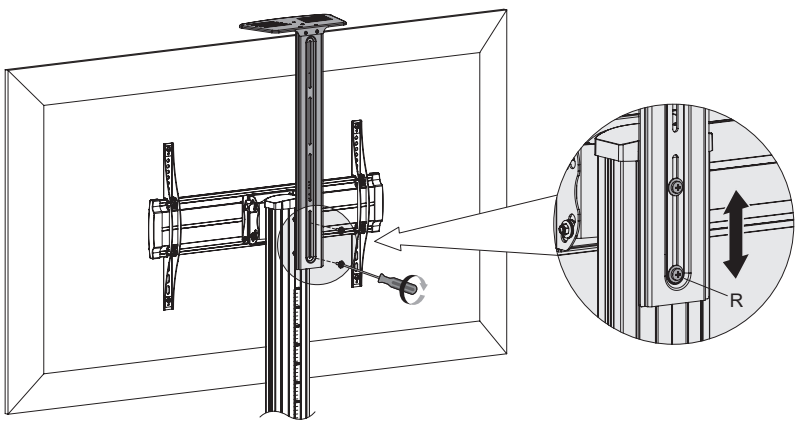
**STEP 8**

Attach the camera shelf (**N**) to the connecting plate (**M**) using M4x6 flat head bolts (**S**). Tighten M4x6 dome head screws (**T**) into back of camera shelf and connecting plate.



**STEP 9**

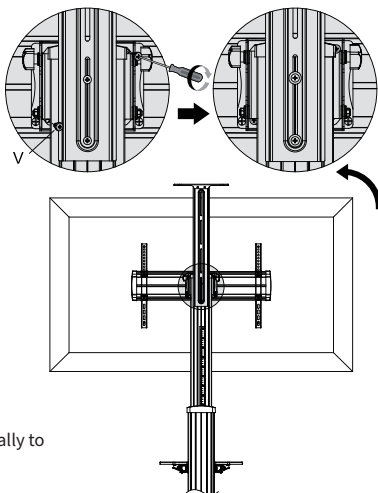
Attach the connecting plate (**M**) to the column (**J**) at the desired height using M6x25 bolts (**R**). Tighten bolts using a screwdriver.



## STEP 10

### OPTION A: Landscape View

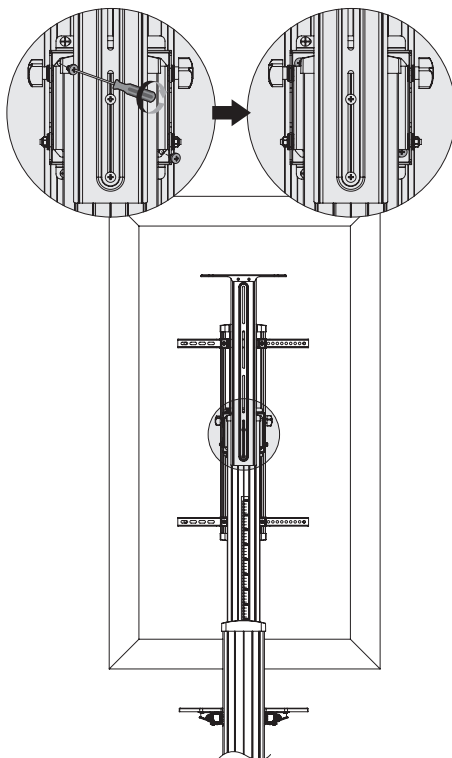
To rotate from portrait to landscape view, remove the two screws from the back of support plate (F). Turn the display, and secure with the previously removed screws.



Install at least two screws diagonally to secure the display.

### OPTION B: Portrait View

To rotate from landscape to portrait view, remove the two screws from the back of support plate (F). Turn the display, and secure with the previously removed screws.





Open **Monday - Friday 7:00am - 7:00pm** CST,  
our dedicated support team can offer immediate assistance with rapid response times. If any parts are received damaged or defective, please contact us. We are happy to replace parts to ensure you have a fully functioning product.


 [help@vivo-us.com](mailto:help@vivo-us.com)

**AVG. RESPONSE TIME** (*within office hrs*): **1HR 8M**

- 23% within < 15m
- 38% within < 30m
- 61% within < 1hr
- 83% within < 2hr
- 92% within < 3hr

 [www.vivo-us.com](http://www.vivo-us.com)  
*Chat live with an agent!*

**AVG. RESOLUTION TIME** (*within office hrs*): **< 15 M**

 309-278-5303

**AVG. RESOLUTION TIME** (*within office hrs*): **5M 4S**